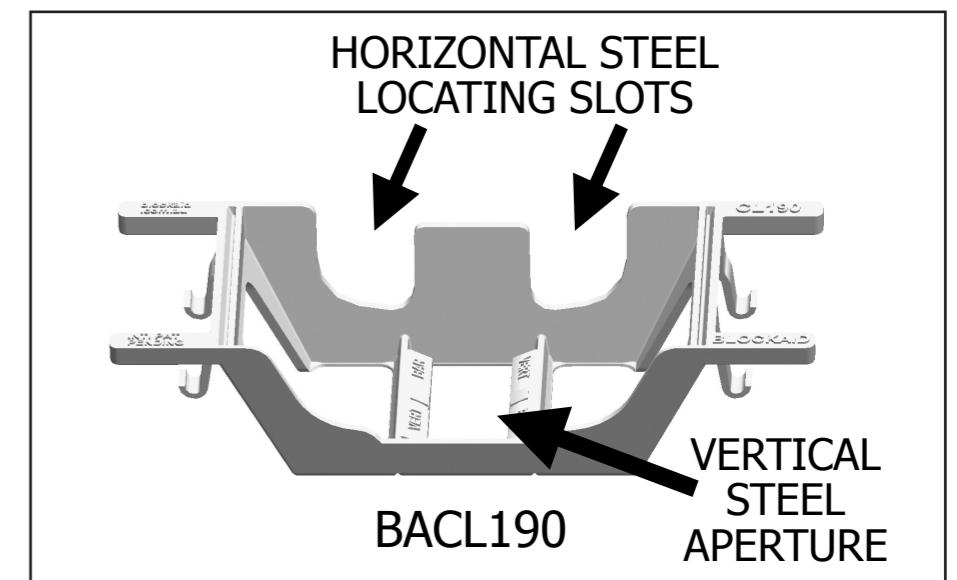
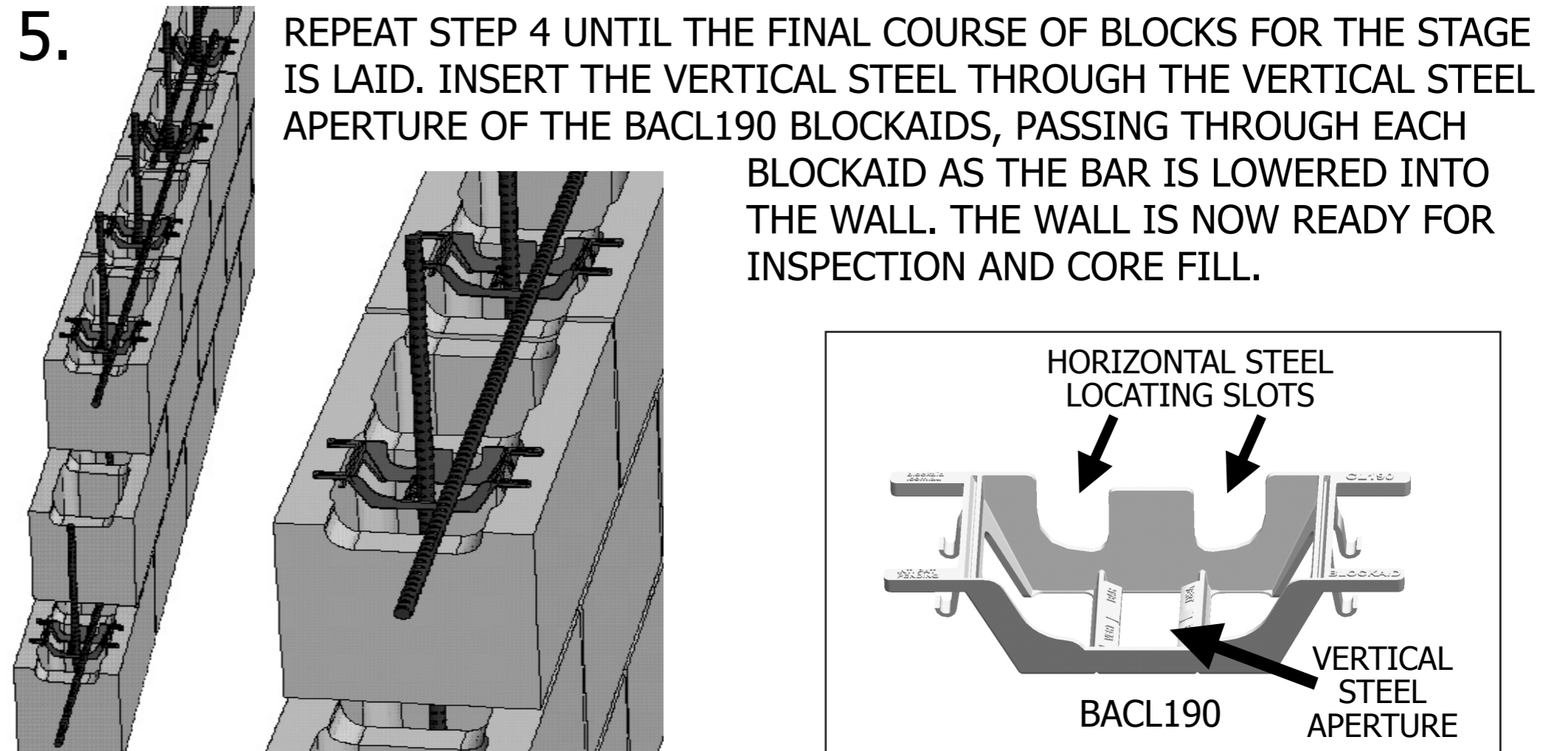
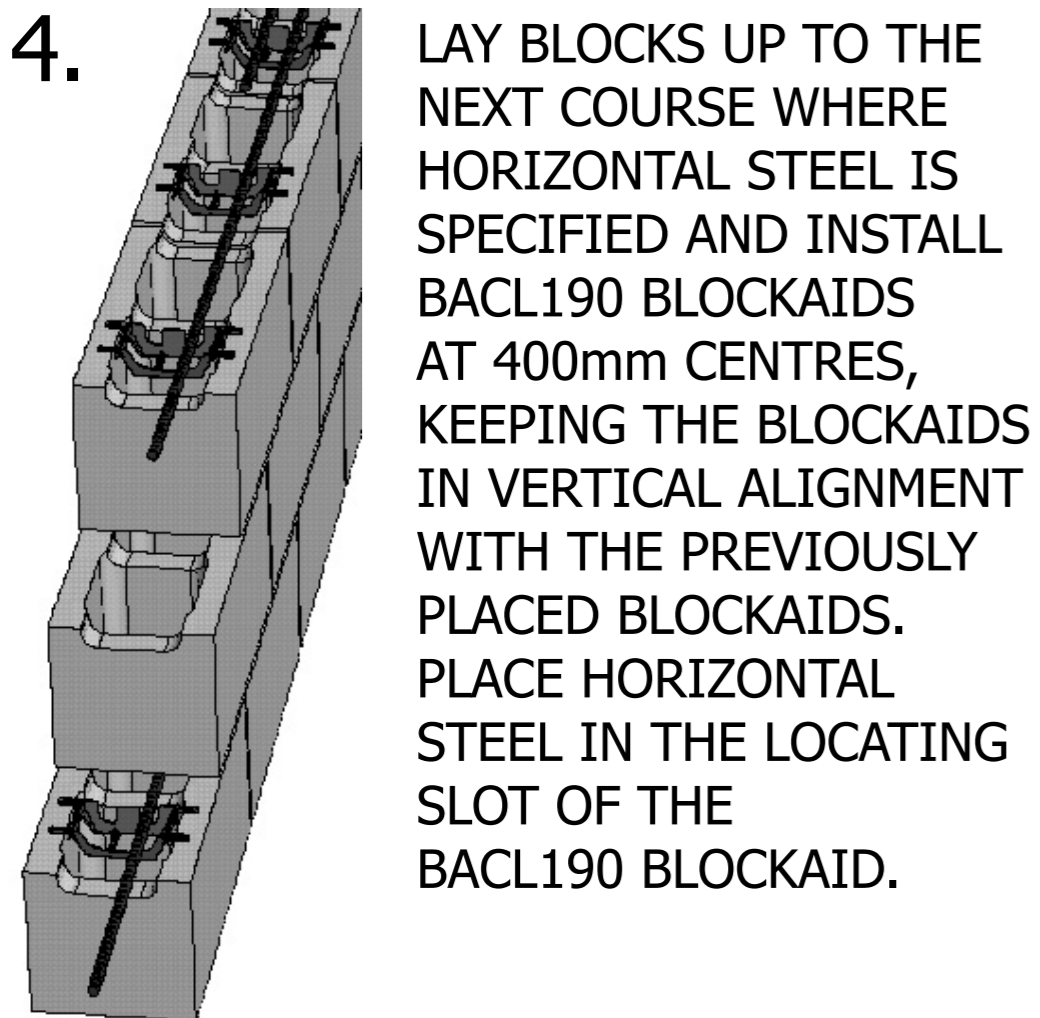
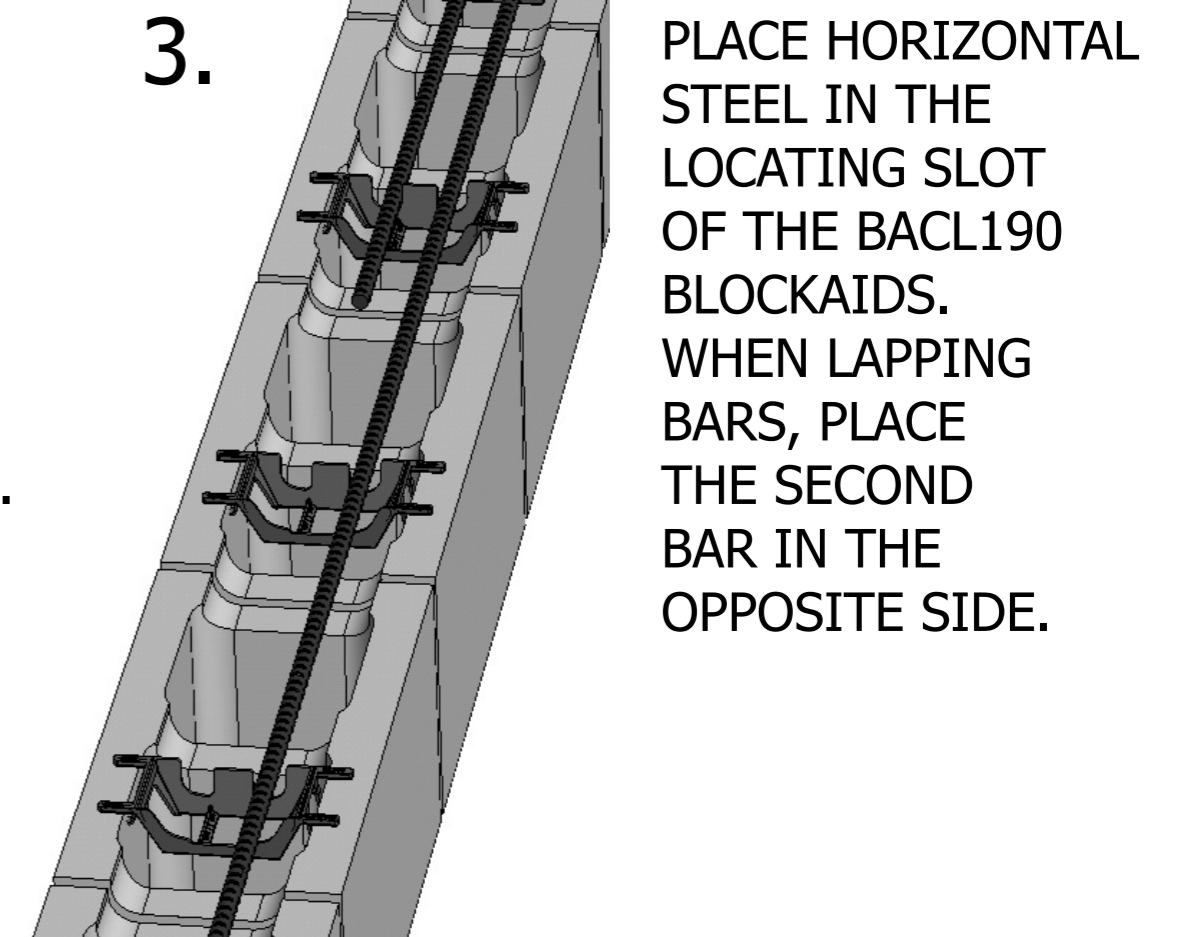
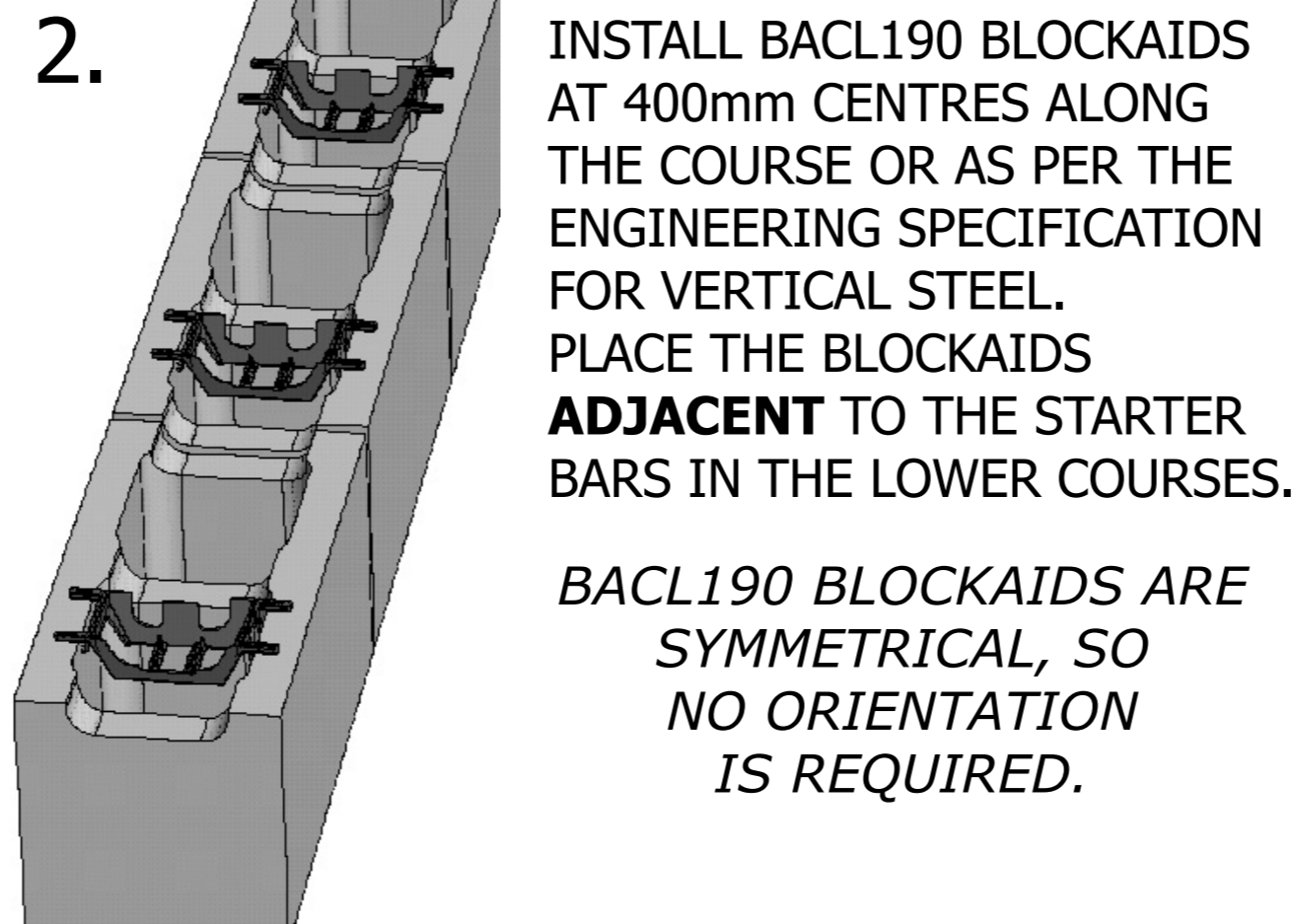
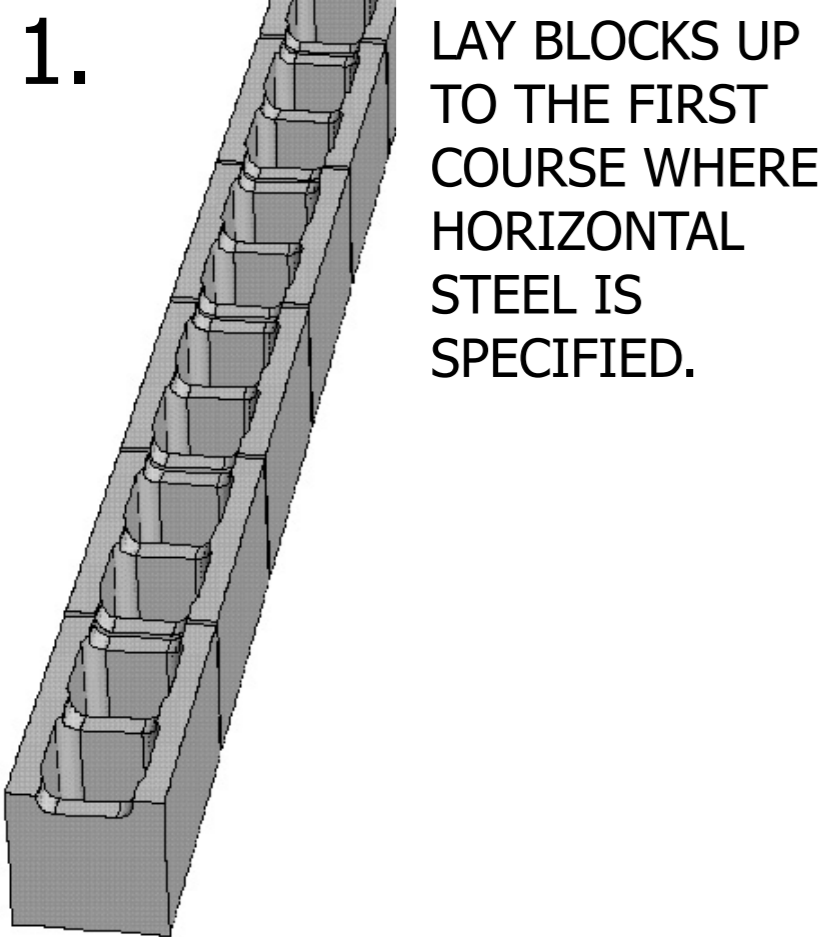


BLOCKAID BACL190 INSTRUCTIONS FOR USE

USE BACL190 WHERE THE VERTICAL STEEL IS TO BE LOCATED CENTRALLY

INSTALL BLOCKAIDS AT EVERY INTERSECTION OF HORIZONTAL AND VERTICAL STEEL (7 PER SQ METRE)

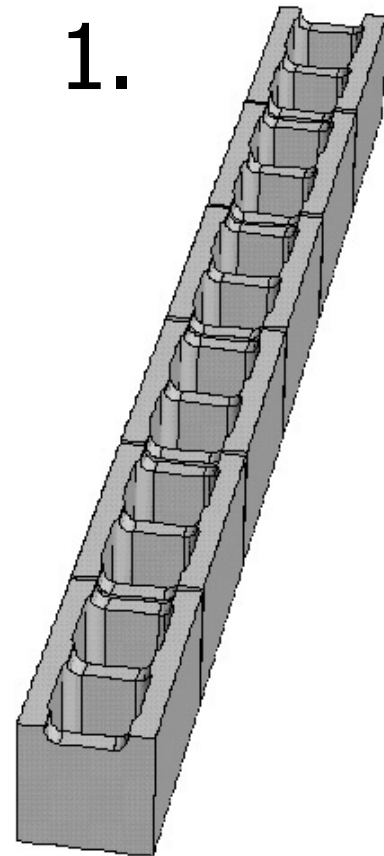


BLOCKAID BANCL190 INSTRUCTIONS FOR USE

USE BANCL190 WHERE THE VERTICAL STEEL IS TO BE LOCATED NON-CENTRALLY TO PROVIDE 20mm GROUT COVER FOR THE VERTICAL STEEL

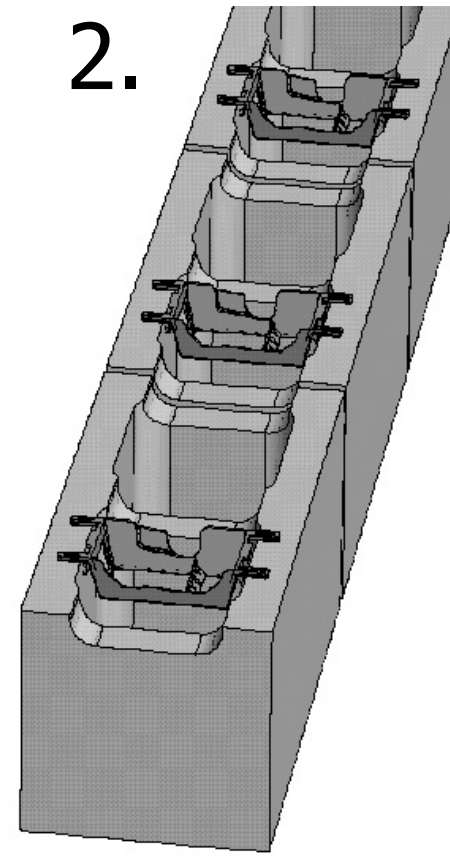
INSTALL BLOCKAIDS AT EVERY INTERSECTION OF HORIZONTAL AND VERTICAL STEEL (7 PER SQ METRE)

1.



LAY BLOCKS UP TO THE FIRST COURSE WHERE HORIZONTAL STEEL IS SPECIFIED.

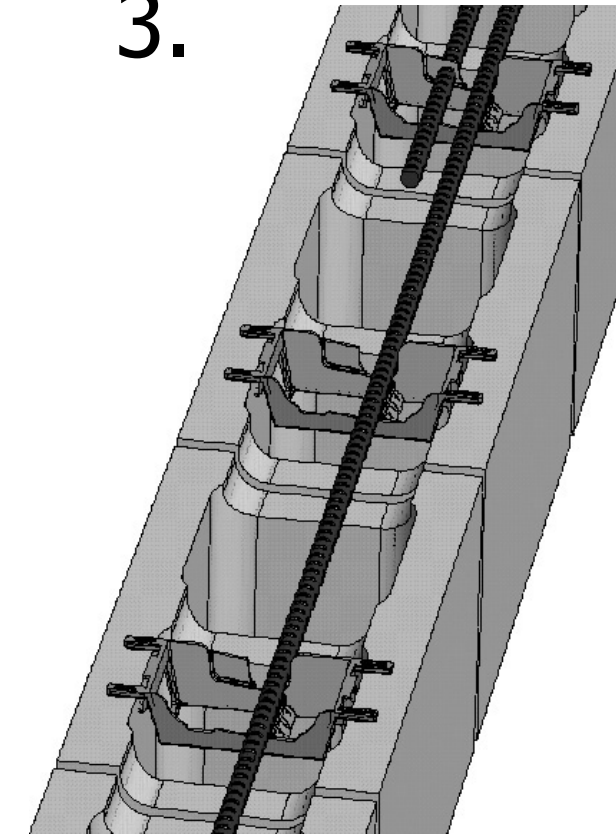
2.



INSTALL BLOCKAIDS AT 400mm CENTRES ALONG THE COURSE OR AS PER THE ENGINEERING SPECIFICATION FOR VERTICAL STEEL. PLACE THE BLOCKAIDS **ADJACENT** TO THE STARTER BARS IN THE LOWER COURSES.

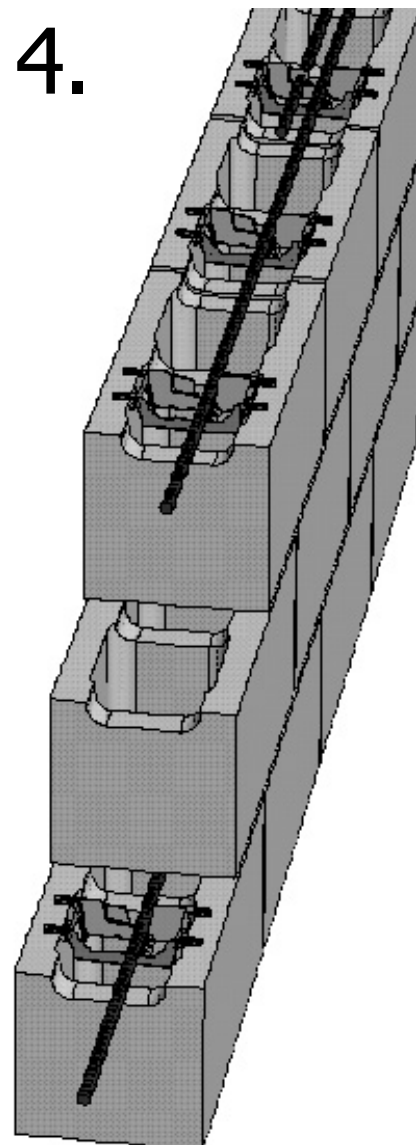
BANCL190 BLOCKAIDS MUST BE ORIENTED SO THE VERTICAL STEEL APERTURE IS ON THE SIDE OF THE BLOCK WHERE THE ENGINEERING SPECIFICATION INDICATES THE VERTICAL REINFORCING STEEL IS TO BE LOCATED.

3.



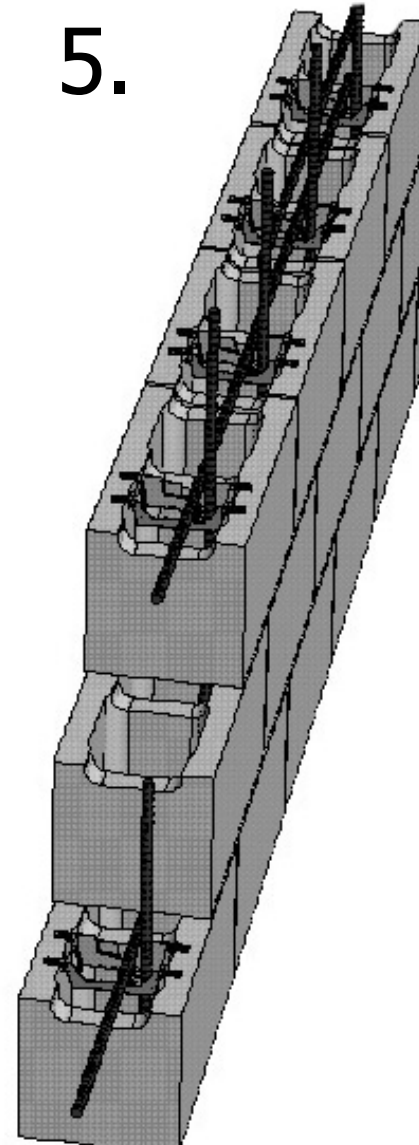
PLACE HORIZONTAL STEEL IN THE LOCATING SLOT OF THE BANCL190 BLOCKAIDS. WHEN LAPPING BARS, REMOVE THE BREAK-OUT TAB TO FIT THE SECOND BAR.

4.



LAY BLOCKS UP TO THE NEXT COURSE WHERE HORIZONTAL STEEL IS SPECIFIED AND INSTALL BANCL190 BLOCKAIDS AT 400mm CENTRES, IN THE CORRECT ALIGNMENT (AS PER STEP 2) KEEPING THE BLOCKAIDS IN VERTICAL ALIGNMENT WITH THE PREVIOUSLY PLACED BLOCKAIDS. PLACE HORIZONTAL STEEL IN THE LOCATING SLOT OF THE BANCL190 BLOCKAID.

5.



REPEAT STEP 4 UNTIL THE FINAL COURSE OF BLOCKS FOR THE STAGE IS LAID. INSERT THE VERTICAL STEEL THROUGH THE VERTICAL STEEL APERTURE OF THE BANCL190 BLOCKAIDS, PASSING THROUGH EACH BLOCKAID AS THE BAR IS LOWERED INTO THE WALL. THE WALL IS NOW READY FOR INSPECTION AND CORE FILL.

